

SPECIFICATIONS

Product Name SSB Radiotelephone

GENERAL CHARACTERISTICS

Rules and Regulations IMO A.806 (19), MSC 68(68) Annex 3, IEC 61097-3 Annex A, IEC 61162-1 (2000), IEC 60945 (2002), EN 300 373-1 (2002), EN 300 338 (2004), EN 301 033 (2005), ETS 300 067A1 (1998), ITU-R M.493-11, M.541-9, M.476-5, M.491-1, M.492-6, M.625-3, M.1173-3

Frequency Range TX: 1.6 to 27.5 MHz (100 Hz steps)
RX: 0.1 to 30 MHz (10 Hz steps)

Number of Channels 256 user-specified channels plus ITU, SSB/TELEX channels

Communication Mode Full-duplex*, Semi-duplex or Simplex

Class of Emission J3E, J2B (F1B)

TRANSCIVER

RF Output Power 500 W pep**

Antenna 7 to 18 m, whip or wire

Tuning Speed 2 to 15 sec.

Sensitivity +7 dB μ V (4-27 MHz, J3E)

DSC

Receiving Frequency All DSC Frequencies in MF/HF

MessageStorage Receive: 50 messages max., plus 50 non-distress messages
Transmit: 50 messages, telephone NO., Frequency, etc.

INTERFACE POWER SUPPLY

IEC 61162-1
24 VDC receive 3 A, transmit 60 A
100/220 VAC*
*with an optional Rectifier PR-850A

EQUIPMENT LIST

Standard

- | | | |
|--------------------------------------|-------------|--------|
| 1. Transceiver Unit | FS-5070T | 1 Unit |
| 2. Control Unit | FS-2571C | 1 Unit |
| 3. Antenna Coupler with BK Relay Kit | AT-5000-H-B | 1 Unit |
| 4. Handset with 1.5 m curled cable | HS-2003-15 | 1 Unit |

Option

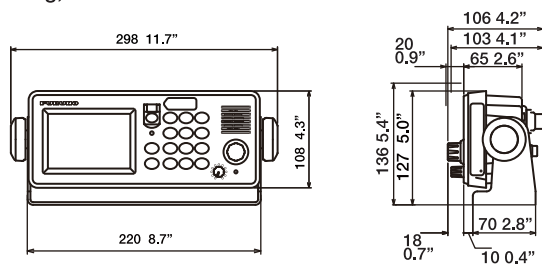
- Rectifier PR-850A for 100/220 VAC
- Remote Control Unit FS-2571C
- Handset HS-2003-15 for Remote Control Unit
- NBDP Terminal IB-583
- NBDP modem OP05-97
- Matching Box ARD-1 for receiving antenna on duplex
- Headphone ST-90
- External Speaker SEM-21Q
- Printer PP-510
- Printer Interface IF-8500
- Flush Mount Kit OP05-98 for FS-2571C
- Distress Alert Unit IC-302-DSC
- Received Call Unit IC-303-DSC

N.B., *Operating frequency should not exceed 22 MHz for full-duplex communications.
**RF output power should be restricted to 400 W on MF and NBDP.

CONTROL UNIT

FS-2571C

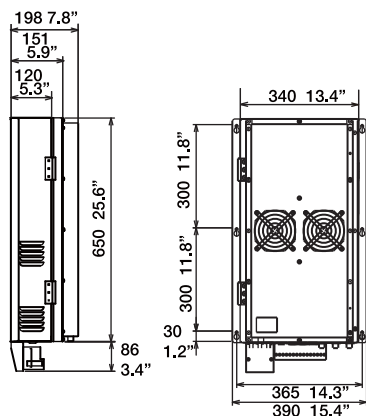
1.6 kg, 3.53 lb.



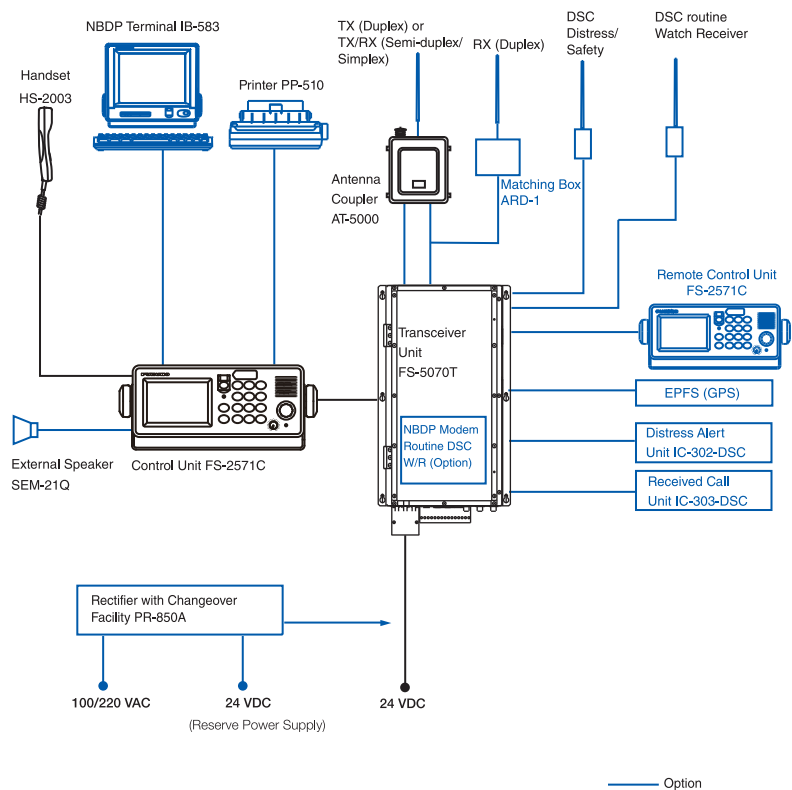
TRANSCIVER UNIT

FS-5070T

26 kg, 57.3 lb.



INTERCONNECTION DIAGRAM



MF/HF

MF/HF Radiotelephone

MF/HF Radiotelephone

FS-5070



FURUNODEEPSEA.com

All brand and product names are registered trademarks, trademarks or service marks of their respective holders. SPECIFICATIONS SUBJECT TO CHANGE WITHOUT NOTICE

FURUNO ELECTRIC CO., LTD.
Nishinomiya, Hyogo, Japan
www.furuno.co.jp

FURUNO U.S.A., INC.
Camas, Washington, U.S.A.
www.furunousa.com

FURUNO (UK) LIMITED
Havant, Hampshire, U.K.
www.furuno.co.uk

FURUNO FRANCE S.A.S.
Bordeaux-Mérignac, France
www.furuno.fr

FURUNO ESPAÑA S.A.
Madrid, Spain
www.furuno.es

FURUNO DANMARK AS
Hvidovre, Denmark
www.furuno.dk

FURUNO NORGE A/S
Ålesund, Norway
www.furuno.no

FURUNO SVERIGE AB
Västra Frölunda, Sweden
www.furuno.se

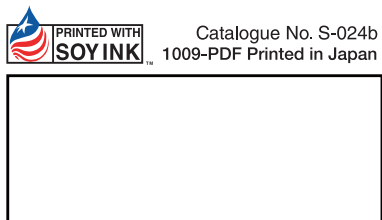
FURUNO FINLAND OY
Espoo, Finland
www.furuno.fi

FURUNO POLSKA Sp. z o.o.
Gdynia, Poland
www.furuno.pl

FURUNO EURUS LLC
St. Petersburg, Russian Federation
www.furuno.com.ru

FURUNO DEUTSCHLAND GmbH
Rellingen, Germany
www.furuno.de

FURUNO HELLAS S.A.
Piraeus, Greece
RICO (PTE) LTD
Singapore
www.rico.com.sg



Catalogue No. S-024b
1009-PDF Printed in Japan



Reliable MF/HF Radiotelephone for general and distress communication with integrated DSC/DSC Watch Receiver/NBDP Modem

- ▶ 500 W MF/HF radiotelephone with DSC facility
- ▶ Fully meets GMDSS carriage requirements
- ▶ Distress, safety and routine communication
- ▶ Instant selection of 256 user-specified channels with a rotary knob or direct keyboard input
- ▶ 160-character message on high-legibility LCD
- ▶ File editing for ready transmission of DSC messages

- ▶ Designed for full-duplex communications
- ▶ GPS position automatically fed to distress alert
- ▶ NBDP modem incorporated (Optional Supply)
- ▶ Simplified operation with use of a rotary knob
- ▶ Flexible installation thanks to component system configuration
- ▶ Antenna Dummy Load incorporated



MF/HF Radiotelephone

FS-5070

The FS-5070 is the new 500 W MF/HF radiotelephone for general and distress communication, which satisfies the carriage requirement for application in the GMDSS A3-A4 sea areas. In addition to radiotelephone operation, DSC (Digital Selective Call) both on general and distress communications is available with an internal DSC Watch Receiver.

The FS-5070 works on all authorized transmission frequencies between 1.6 and 27.5 MHz. Receiver frequencies can be selected between 100 kHz and 30 MHz in 10 Hz steps. The transmission and receiver frequencies can be selected separately or in pair.

The FS-5070 maintains continuous watch on a distress and routine call while maintaining normal

voice communications: DSC channels can be individually set, or all selected channels can be automatically scanned to make use of the services. When a DSC message is received, the FS-5070 generates audio and visual alarms. Optionally, a NBDP modem can be accommodated in the transceiver unit for allowing NBDP communications as well as distress message and maritime safety information handling. The digital frequency synthesizer facilitates high frequency stability for DSC and NBDP as well as for telephony communications.

The FS-5070 consists of a control unit with a telephone handset, a transceiver unit and an antenna coupler. Its component system configuration allows for flexible installation onboard, and its compact control unit facilitates simplified installation within a communication console.

The FS-5070 complies with the following international rules and regulations:

- IMO A.806 (19), MSC 68(68) Annex 3,
- ITU-R M. 493-11, M. 541-9, M. 476-5, M. 491-1, M. 492-6, M. 625-3, M. 1173-3
- IEC 61097-3 Annex A, IEC 61162-1 (2000), IEC 60945 (2002)
- EN 300 373-1 (2002), ETS 300 067A1 (1998), EN 300 338 (2004), EN 301 033 (2005)



Control Panel

Operational setting can be configured by utilizing the knobs and keys on the front panel. The following is a brief overview of the operational settings of the FS-5070.



DISTRESS key:
Quick transmission of distress alerts

CANCEL key:
Cancellations of: erroneous data input, actions, alarms, transmission and error indicator

CALL key:
Transmission of DSC routine calls

PUSH TO ENTER rotary knob:
Tuning adjustment and channel selection for radiotelephone, Menu selection for DSC

PWR/VOL rotary knob:
Volume control

Alphanumeric keys

1/RT:	Switching operating mode to radiotelephone, switching frequency to 2182 kHz/J3E	7/🔔:	Activating/deactivating alarm/buzzer (except for deactivating distress alerts and urgency alarms)
2/DSC:	Switching to DSC mode	8/PRINT:	Printing communication log, DSC messages (except for DSC scanning and radiotelephone display) and the result of the daily tests
3/TEST:	Implementation of daily test	9/🌞:	Dimmer control and contrast of the LCD
4/IntCom:	Activating/deactivating the intercom function	*/FILE/CURSOR:	Opening the SEND MESSAGE FILE and shifting the cursor
5/ACK/SQ:	Activating/deactivating squelch and setting of AUTO/MANUAL DSC watch-keeping	0/LOG/TUNE:	Tuning of the antenna coupler and displaying the DSC message log
6/SCAN:	Activating/deactivating the scanning of DSC channels	#/SETUP:	Opening the set-up menu